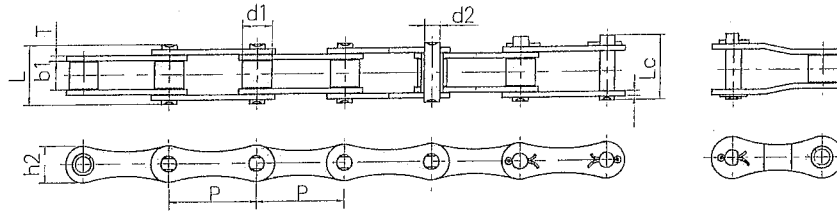
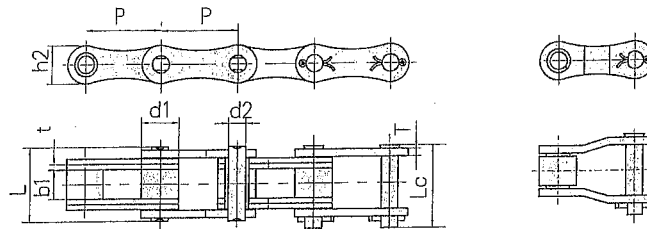


LANTBRUKSKEDJOR

Typ S enligt DIN 8189 / WN



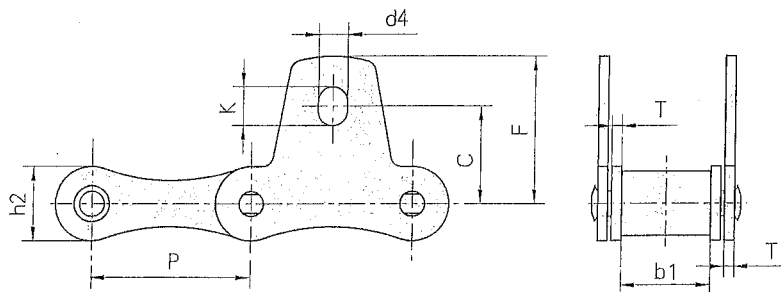
Chain No.	Teilung Pitch	Rollen Ø Roller diameter	Lichte Weite Width between inner plates	Bolzen Ø Pin diameter	Bolzen- länge Pin length	Höhe Innenlasche Inner plate depth	Laschen- dicke Plate thickness	min. Bruchkraft Ultimate tensile strength	Durchschn. Bruchlast Average tensile strength	Gewicht per meter Weight per meter	
	P	d1 max	b1 min	d2 max	L max	Lc max	h2 max	T max	Q min	Q0	q
	mm	mm	mm	mm	mm	mm	mm	mm	KN/LB	kN	kg/m
S32	29.21	11.43	15.88	4.45	26.7	28.8	13.2	1.8	8.0/1818	21.6	0.86
S32V	29.21	11.43	15.88	5.08	27.3	29.7	13.5	2.1	25.0/5680	27.0	0.96
S42	34.93	14.27	19.05	7.00	34.3	37.0	19.8	2.8	27.0/6136	50.8	1.60
S45	41.40	15.24	22.23	5.72	37.7	40.4	17.3	2.8	18.0/4091	36.1	1.66
S51	38.10	15.24	16.00	5.72	30.9	33.8	17.3	2.8	28.0/6364	30.8	1.48
S52L	38.10	15.24	16.40	5.72	30.9	33.8	16.5	2.5	29.2/6636	32.2	1.36
S52	38.10	15.24	22.23	5.72	37.7	40.4	17.3	2.8	18.0/4091	36.1	1.68
55V	41.40	17.90	22.23	8.22	39.3	42.4	20.0	3.0	42.0/9546	45.0	2.22
S55	41.40	17.78	22.23	5.72	37.7	40.4	17.3	2.8	18.0/4091	36.1	1.80
S55R	41.40	17.78	22.23	8.90	41.0	44.0	22.4	3.5	45.0/10227	73.1	2.49
S55RH	41.40	17.78	22.23	8.90	43.2	46.4	22.4	4.0	65.0/14772	84.5	2.74
S62	41.91	19.05	26.20	5.72	40.3	43.0	17.3	2.5	26.7/6067	36.1	1.87
S62F5	41.91	19.05	26.20	5.72	40.3	43.0	16.7	2.5	26.7/6067	36.1	2.07
S77	58.34	18.26	22.23	8.90	43.2	46.4	26.2	4.0	45.0/10227	73.1	2.66
S88	66.27	22.86	28.58	8.90	49.8	53.0	26.2	4.0	45.0/10227	73.1	3.25
CA642	41.40	15.88	19.00	8.28	36.1	39.1	21.2	3.0	50.0/11363	55.0	1.98
CA650	50.80	25.00	18.90	9.53	40.4	44.7	25.0	4.0	90.0/20454	95.5	3.49
CA650F2	50.80	20.00	18.90	9.53	40.4	44.7	25.0	4.0	90.0/20454	95.5	2.98



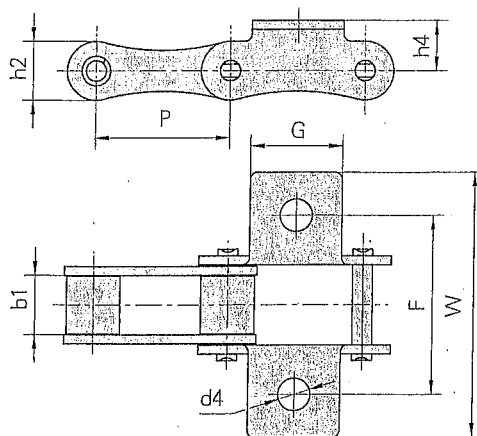
Chain No.	Teilung Pitch	Rollen Ø Roller diameter	Lichte Weite Width between inner plates	Bolzen Ø Pin diameter	Bolzen- länge Pin length	Höhe Innenlasche Inner plate depth	Laschen- dicke Plate thickness	min. Bruchkraft Ultimate tensile strength	Durchschn. Bruchlast Average tensile strength	Gewicht per meter Weight per meter	
	P	d1 max	b1 min	d2 max	L max	Lc max	h2 max	t/T max	Q min	Q0	q
	mm	mm	mm	mm	mm	mm	mm	mm	KN/LB	KN/LB	kg/m
CA650F1	50.8	25.0	19.0	11.28	49.2	53.7	25.0	3.5/5.0	138.0/27273	140.0	4.36

FÄSTLÄNKAR

För lantbrukskedja



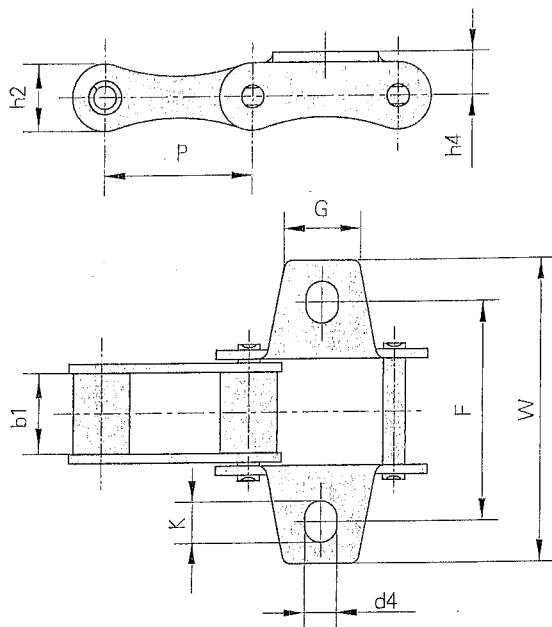
Chain No.	P	b1	h2	T	C	F	d4	K
	mm	mm	mm	mm	mm	mm	mm	mm
S32SK1	29.21	15.88	13.2	1.8	17.3	26.2	5.3	6.9
S42SK1	34.93	19.05	19.8	2.8	23.6	34.3	8.3	11.5
S45SK1	41.40	22.23	17.3	2.8	19.8	30.2	8.3	11.5
S52SK1	38.10	22.23	17.3	2.8	22.1	31.8	8.3	9.9
S55SK1	41.40	22.23	17.3	2.8	19.8	30.2	8.3	11.5
S62SK1	41.91	26.2	17.3	2.5	24.6	38.6	8.3	14.7
S77SK1	58.34	22.23	26.2	4.0	36.3	50.0	8.3	11.5
S88SK1	66.27	28.58	26.2	4.0	43.7	55.6	8.3	9.9



Chain No.	P	b1	G	F	W	h4	d4
	mm	mm	mm	mm	mm	mm	mm
S52LK1	38.1	16.4	26.0	50.0	74.0	14.0	9.0

FÄSTLÄNKAR

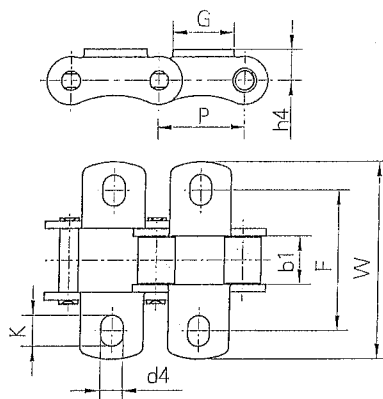
För lantbrukskedja



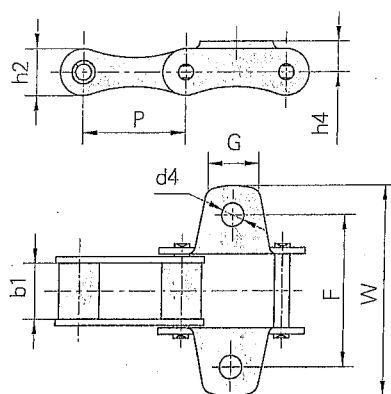
Chain No.	P	b1	G	F	W	h4	d4	K	h2
	mm	mm	mm	mm	mm	mm	mm	mm	mm
S32K1	29.21	15.88	15	42.9	61.0	8.6	5.3	6.9	13.2
S32K1F1	29.21	15.88	15	42.9	61.0	8.6	6.5	8.1	13.2
S42K1	34.93	19.05	17.5	54.0	74.9	14.0	8.3	11.5	19.8
S45K1	41.40	22.23	22.0	54.0	75.0	11.4	8.5	11.7	17.3
S51K1	38.10	16.0	19.0	49.8	71.5	11.4	8.3	9.9	17.3
S52K1	38.10	22.23	19.0	58.8	78.0	11.4	8.3	9.9	17.3
S52K1F1	38.10	22.23	19.0	58.8	78.0	11.4	6.6	8.2	17.3
S55K1	41.40	22.23	22.0	54.0	75.0	11.4	8.5	11.7	17.3
S62K1	41.91	26.2	22.0	66.8	95.4	11.4	8.3	14.7	17.3
S62A2K1	41.91	26.2	22.0	66.7	95.5	12.6	8.3	14.7	17.3
S62F2K1	41.91	26.2	22.0	66.8	95.4	11.4	6.5	13.0	17.3
S77K1	58.34	22.23	25.0	76.2	102	20.8	8.3	11.5	26.2
S88K1	66.27	28.58	22.0	97.0	119.4	20.8	8.3	9.9	26.2

FÄSTLÄNKAR

För lantbrukskedja



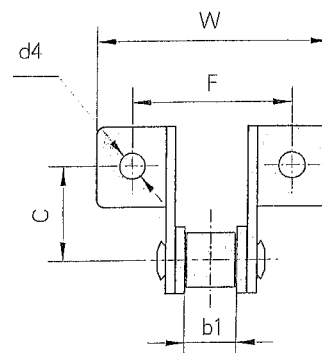
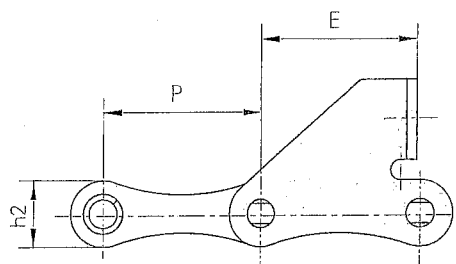
Chain No.	P	b1	G	F	W	h4	d4	K
	mm	mm	mm	mm	mm	mm	mm	mm
S55RK1	41.4	22.23	25.0	63.6	90.4	15.5	8.6	12.0
S55RHK1	41.4	22.23	25.0	63.6	90.4	15.5	8.6	12.0



Chain No.	P	b1	G	F	W	h4	d4	h2
	mm	mm	mm	mm	mm	mm	mm	mm
S55F5	41.4	22.23	22.0	56.0	75.0	11.4	10.0	17.3
S77K1F1	58.34	22.23	26.0	76.2	103.8	20.8	10.5	26.2

FÄSTLÄNKAR

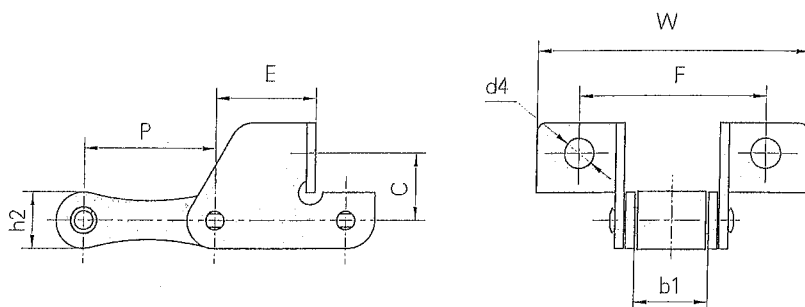
För lantbrukskedja



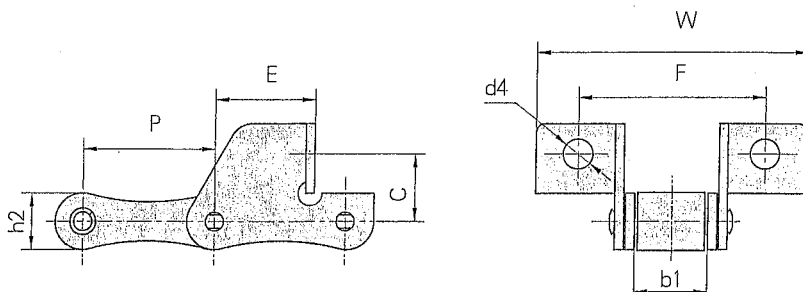
Chain No.	P	b1	C	E	F	W	d4	h2
	mm	mm	mm	mm	mm	mm	mm	mm
S32SD	29.21	15.88	20.0	19.2	58.0	78.0	6.4	13.2
S45W-F1	41.40	22.23	20.0	37.0	58.0	87.0	6.6	17.3
S45W-F4	41.40	22.23	20.5	33.2	58.0	85.6	6.6	17.3
S45F1	41.40	22.23	21	25.0	62.4	83.4	8.5	17.3
S52SD	38.10	22.23	20.0	19.2	62.0	88.5	6.4	17.3
S52F4	38.10	15.8	20.6	37.0	53.8	69.5	6.4	16.7
S52F8	38.10	22.23	20.6	37.0	60.7	76.4	6.4	17.3
S52F9	38.10	18.5	20.0	18.5	54.5	71.0	6.5	16.5
S52LSD	38.10	16.4	20.0	17.5	54.5	71.0	6.5	16.5
S55F2	41.40	22.23	20.0	37.0	58.0	87.0	6.4	17.3
S55F3	41.40	22.23	20.5	33.2	58.0	85.6	6.6	17.3
S55F4	41.40	22.23	20.0	37.0	58.0	87.0	6.6	17.3
S55F6	41.40	22.23	20.0	30.0	58.0	87.0	6.4	17.3
S55F7	41.40	22.23	20.5	33.2	62.0	85.6	6.6	17.3
S62SD	41.91	26.2	20.0	32.6	61.4	92.0	6.4	17.3

FÄSTLÄNKAR

För lantbrukskedja



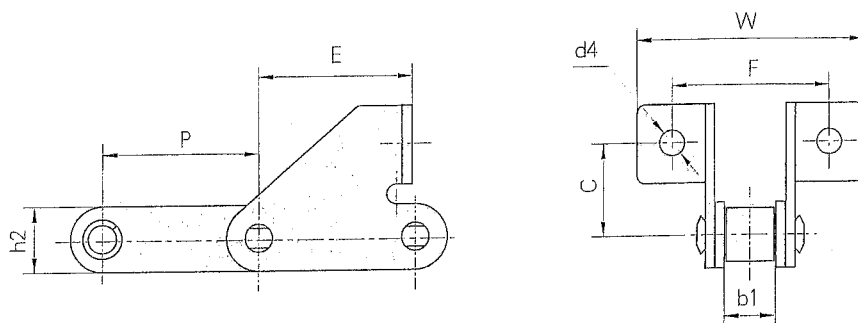
Chain No.	P	b1	C	E	F	W	d4	h2
	mm	mm	mm	mm	mm	mm	mm	mm
S45V	41.4	22.23	21.0	28.5	62.4	83.4	8.8	17.3
S45SDF1	41.4	22.23	17.5	31.9	62.0	91.0	8.5	17.3
S55V	41.4	22.23	21.0	28.5	57.5	83.4	6.5	17.3



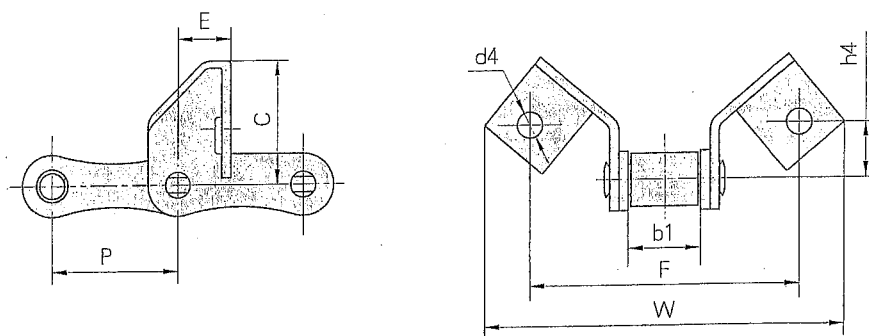
Chain No.	P	b1	C	E	F	W	d4	h2
	mm	mm	mm	mm	mm	mm	mm	mm
S45SD	41.4	22.23	17.0	28.6	58.0	81.2	8.5	17.3
S52SDF1	38.1	15.80	19.56	20.0	56.0	82.0	6.4	17.3

FÄSTLÄNKAR

För lantbrukskedja



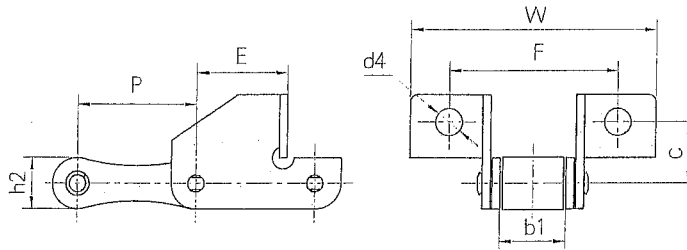
Chain No.	P	d1	b1	C	E	F	W	d4	h2
	mm	mm	mm	mm	mm	mm	mm	mm	mm
S52F3	38.4	15.88	18.5	24.0	37.4	52.0	73.0	8.7	17.5



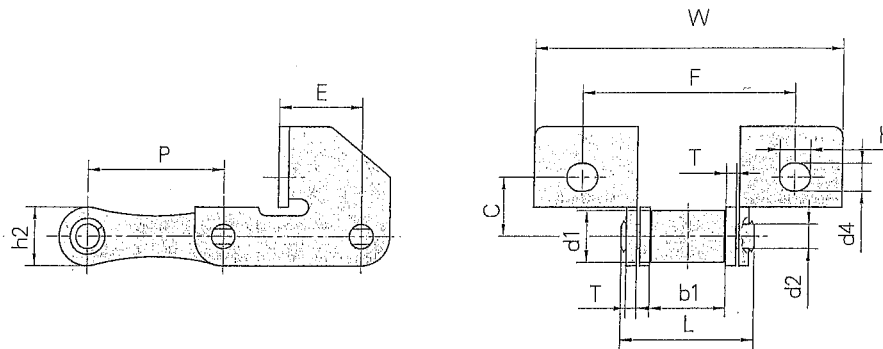
Chain No.	P	b1	C	E	F	W	h4	d4
	mm	mm	mm	mm	mm	mm	mm	mm
55VSE	41.4	22.23	41.0	17.5	88	118	18.44	8.4
55VSEL	41.4	22.23	41.0	31.3	88	118	18.44	8.4

FÄSTLÄNKAR

För lantbrukskedja



Chain No.	P	b ₁	C	E	F	W	d ₄	h ₂
	mm	mm	mm	mm	mm	mm	mm	mm
S55F1	41.4	22.23	19.0	31.9	62.0	89.2	8.3	17.3
S55RSD	41.4	22.23	19.0	31.9	62.0	89.2	8.3	22.4

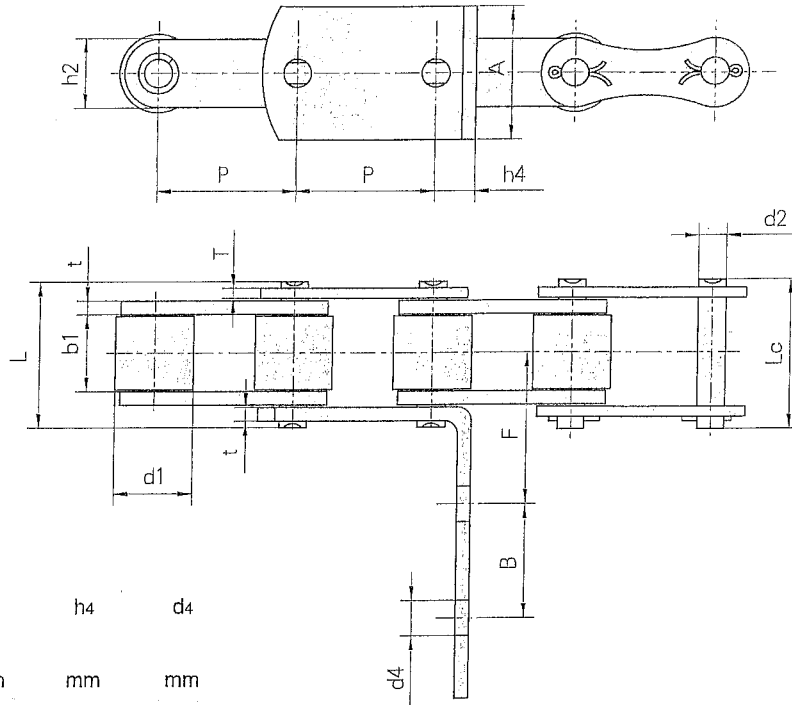


Chain No.	P	C	E	F	W	d ₄	K
	mm	mm	mm	mm	mm	mm	mm
S45HF1	41.4	22.23	24.9	63.4	92.0	8.3	9.2

Teilung	Rollen ø	Lichte Weite	Bolzen ø	Bolzenlänge	Laschenabmessung	min. Bruchkraft	Gewicht per meter	
Chain No.	Pitch	Roller diameter	Pin diameter	Pin length	Plate dimension	Ultimate tensile strength	Weight per meter	
	P	d ₁ max	b ₁ min	d ₂ max	L max	h ₂ max T	Q min	q
	mm	mm	mm	mm	mm	mm	kN/LB	kg/m
S45HF1	41.4	15.24	22.23	7.14	39.5	17.3 3.0	36.75/8267	2.0

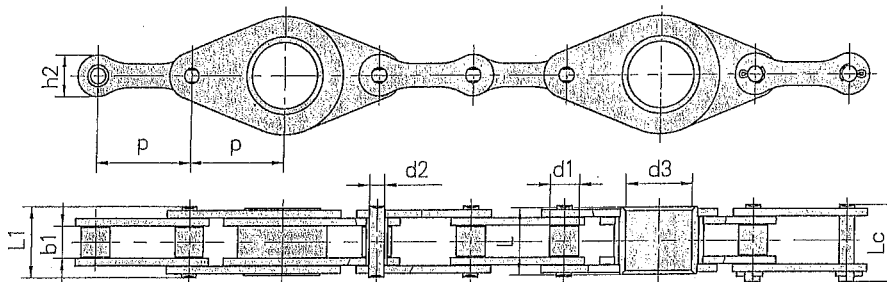
FÄSTLÄNKAR

För lantbrukskedja



Chain No.	P	A	B	F	h4	d4
	mm	mm	mm	mm	mm	mm
S55HF2	41.4	39.0	50	61.0	11.8	8.3

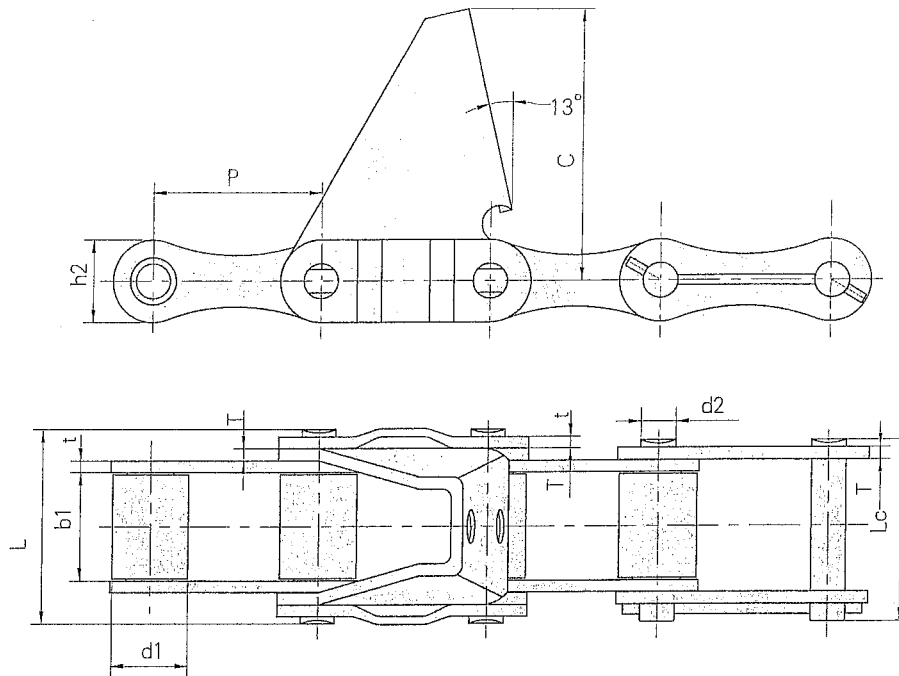
Chain No.	Teilung	Rollen ø	Lichte Weite	Bolzen ø	Bolzen-länge	Laschen-abmessungen	min. Bruchkraft	Gewicht per meter		
	Pitch	Roller diameter	Width between inner plates	Pin diameter	Pin length	Plate dimension	Ultimate tensile strength	Weight per meter		
	P	d1 max	b1 min	d2 max	L max	Lc max	h2 max	t/T	Q min	q
	mm	mm	mm	mm	mm	mm	mm	mm	kN/LB	kg/m
S55HF2	41.4	23.0	22.23	8.28	42.0	45.5	20.0	4.0/3.0	47.5/10685	4.27



Chain No.	Teilung	Rollen ø	Lichte Weite	Bolzen ø	Hohlbolzen-innendurchmesser	Bolzen-länge	Höhe Innenlasche	min. Bruchkraft	Gewicht per meter		
	Pitch	Roller diameter	Width between inner plates	Pin diameter	Hollow pin inner diameter	Pin length	Inner plate depth	Ultimate tensile strength	Weight per meter		
	P	d1 max	b1 min	d2 max	d3 max	L1 max	L2 max	Lc max	h2 max	Q min	Q0
	mm	mm	mm	mm	mm	mm	mm	mm	mm	kN/LB	kN
216BF1	50.8	15.88	17.02	8.28	35.3	37.8	35.8	41.3	22.0	60.0/13636	70.8

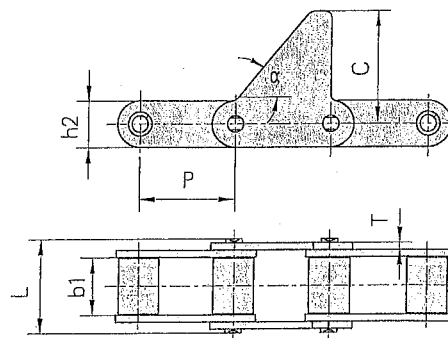
FÄSTLÄNKAR

För lantbrukskedja



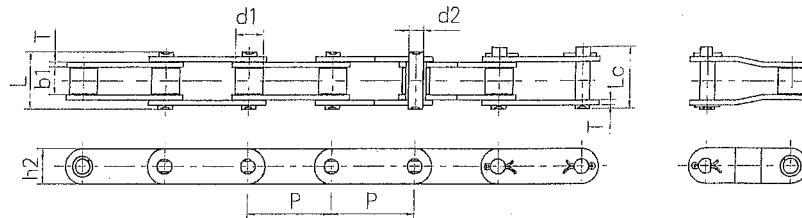
Chain No.	Teilung	Rollen \varnothing	Lichte Weite	Bolzen \varnothing	Bolzen-länge	Laschenabmessungen				min. Bruchkraft	Durchschn. Bruchlast
	Pitch	Roller diameter	Width between inner plates	Pin diameter	Pin length	Plate dimension				Ultimate tensile strength	Average tensile strength
	P	d1 max	b1 min	d2 max	L max	Lc max	h2 max	t/T	C	Q min	Q0
	mm	mm	mm	mm	mm	mm	mm	mm	mm	kN/LB	kn
S62R-C6E	41.91	19.05	25.8	8.5	47.8	44.6	20.1	2.8/3.0	66.0	42.0/9448	43.7

Chain No.	P	b1	C	α	L	T	h2
	mm	mm	mm	mm	mm	mm	mm
S62F1	41.91	25.4	60.0	50°	41.9	3.0	20.0



LANTBRUKSKEDJOR

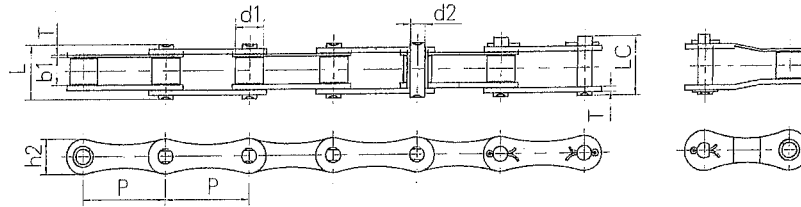
Typ A och CA



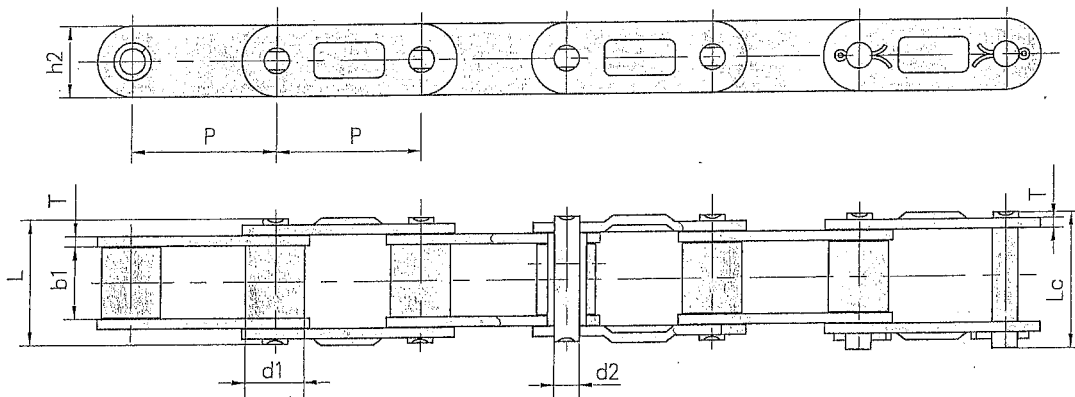
Chain No.	Teilung Pitch	Rollen Ø Roller diameter	Lichte Weite Width between inner plates	Bolzen Ø Pin diameter	Bolzen- länge Pin length		Höhe Innenlasche Inner plate depth	Laschen- dicke Plate thickness	min. Bruchkraft Ultimate tensile strength	Durchschn. Bruchlast Average tensile strength	Gewicht per meter Weight per meter
	P	d1 max	b1 min	d2 max	L max	Lc max	h2 max	T max	Q min	Q0	q
	mm	mm	mm	mm	mm	mm	mm	mm	kN/LB	kN	kg/m
CA550	41.40	16.87	19.81	7.19	35.0	38.0	19.30	2.80	39.10/8886	51.2	1.94
CA550V	41.40	16.80	19.05	8.28	36.1	39.1	22.00	3.00	55.00/12499	68.7	2.24
CA555	41.40	16.87	12.70	7.19	29.1	32.0	19.30	3.10	39.10/8886	56.0	1.72
CA557	41.40	17.78	20.24	8.00	37.4	40.6	23.10	3.10	55.61/12639	74.3	2.60
CA620	42.01	17.91	24.51	7.19	41.8	45.2	20.20	3.25	39.10/8886	55.1	2.35
CA2060H	38.10	11.91	12.70	5.94	29.2	31.6	18.00	3.25	31.10/6996	40.5	1.45
CA2063H	38.10	11.89	12.70	5.94	29.4	34.2	19.30	3.25	31.28/7109	40.5	1.65
CA550F4	41.40	14.35	20.24	7.14	35.0	38.5	19.05	2.80	50.00/11363	52.0	1.76
CA550F5	41.40	16.66	20.24	7.14	35.0	38.5	19.05	2.80	45.00/10227	52.0	1.97
CAE44151	28.575	15.88	16.20	7.92	33.5	36.9	22.20	3.25	58.80/13363	64.5	2.73
38.4R	38.40	15.88	19.05	6.92	33.8	36.4	17.30	2.50	33.00/7480	41.2	1.70
38.4V	38.40	15.88	18.00	6.92	35.0	38.0	17.30	3.00	40.00/9091	50.0	1.83
38.4VB	38.40	15.88	19.05	8.28	36.1	39.4	20.50	3.00	50.00/11363	62.5	2.17
55VD	41.40	17.90	23.00	8.22	39.3	42.4	20.00	2.80	42.00/9546	45.0	2.34
S62F3	41.91	19.05	25.40	8.00	42.0	44.6	26.00	3.00	47.00/10796	58.7	3.12

LANTBRUKSKEDJOR

Typ A och CA



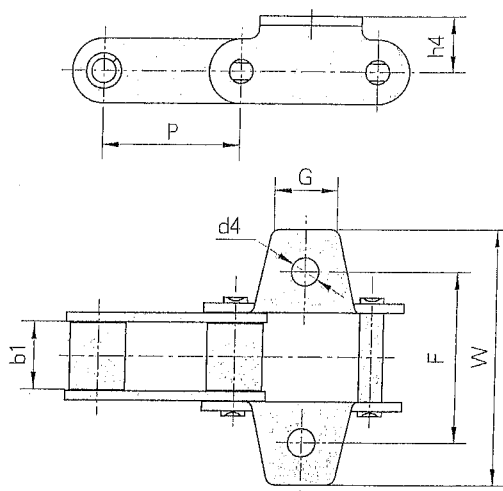
Chain No.	Teilung	Rollen \emptyset	Lichte Weite	Bolzen \emptyset	Bolzen-länge		Höhe Innenlasche	Laschen-dicke	min. Bruchkraft	Durchschn. Bruchlast	Gewicht per meter
	Pitch	Roller diameter	Width between inner plates	Pin diameter	Pin length		Inner plate depth	Plate thickness	Ultimate tensile strength	Average tensile strength	Weight per meter
	mm	d1 max	b1 min	d2 max	L max	Lc max	h2 max	T max	Q min	Q0	q
A550	41.40	16.87	19.81	7.19	35.00	38.00	19.30	2.80	39.10/8886	51.2	1.79
A555	41.40	16.87	12.70	7.19	29.10	32.00	19.30	3.10	39.10/8886	56.0	1.60
A557	41.40	17.78	20.24	8.00	37.40	40.60	23.10	3.10	55.61/12639	74.3	2.45
A620	42.01	17.91	24.51	7.19	41.80	45.20	20.20	3.25	39.10/8886	55.1	2.18
S55H	41.40	17.78	22.23	9.10	40.00	44.50	23.10	3.00	50.0	58.0	2.65



Chain No.	Teilung	Rollen \emptyset	Lichte Weite	Bolzen \emptyset	Bolzen-länge		Höhe Innenlasche	Laschen-dicke	min. Bruchkraft	Durchschn. Bruchlast	Gewicht per meter
	Pitch	Roller diameter	Width between inner plates	Pin diameter	Pin length		Inner plate depth	Plate thickness	Ultimate tensile strength	Average tensile strength	Weight per meter
	mm	d1 max	b1 min	d2 max	L max	Lc max	h2 max	T max	Q min	Q0	q
CA550D	41.40	16.87	19.81	7.19	35.0	38.0	19.3	2.80	39.10/8886	51.2	1.94
CA555D	41.40	16.87	12.70	7.19	29.1	32.0	19.3	3.10	39.10/8886	56.0	1.72
CA557D	41.40	17.78	20.24	8.00	37.4	40.6	23.1	3.10	55.61/12639	74.3	2.60
CA620D	42.01	17.91	24.51	7.19	41.8	45.2	20.2	3.25	39.10/8886	55.1	2.35
CA627	30.0	15.88	19.05	8.28	36.0	39.2	20.65	3.0	48.0	48.0	2.45

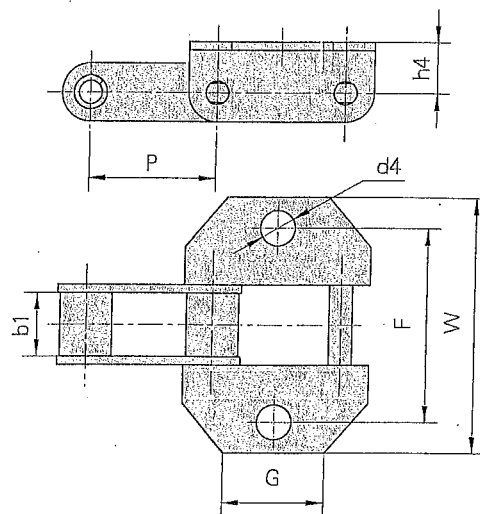
FÄSTLÄNKAR

För lantbrukskedja



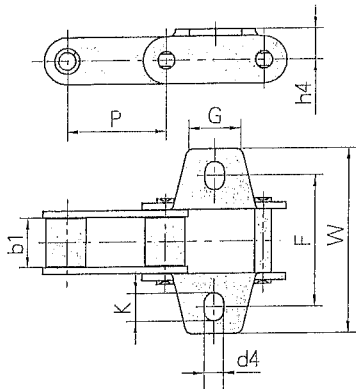
Chain No.	P	b1	G	F	W	h4	d4
38.4VK1	38.4	18.00	22.00	57.5	82.00	15.4	9.0
38.4RF1	38.4	18.50	23.00	57.5	80.00	16.0	8.7
CA550F2	41.4	19.50	22.00	50.8	72.00	14.7	8.5
CA550K1F1	41.4	19.81	20.00	54.0	76.20	16.5	8.3
CA550K1F2	41.4	19.81	20.00	50.8	76.20	16.5	8.3
CA550K25	41.4	19.81	22.23	50.8	71.40	12.7	8.7
CA557K1	41.4	20.24	22.00	50.8	72.00	15.9	8.7
CA550VK1	41.4	19.05	27.00	54.0	75.54	16.5	8.5
CA550VK1F1	41.4	19.05	27.00	50.8	75.54	16.5	8.5
CA550F4K19	41.4	20.24	22.23	50.8	77.80	12.7	6.75

Chain No.	P	b1	G	F	W	h4	d4
	mm	mm	mm	mm	mm	mm	mm
38.4RK1	38.4	19.05	29.1	58.0	76.5	15.1	10.5
38.4VK1F1	38.4	18.0	29.1	57.0	75.0	15.1	8.5
38.4VF7	38.4	19.05	39.0	58.4	82.4	14.5	10.5
38.4VBK1	38.4	19.05	29.0	58.0	87.0	14.0	10.5
38.4VBF3	38.4	19.05	40.0	57.0	86.0	16.0	10.3
CA550VK18	41.4	19.05	22.6	54.0	71.6	12.7	8.5



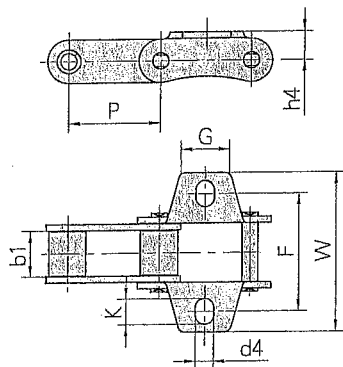
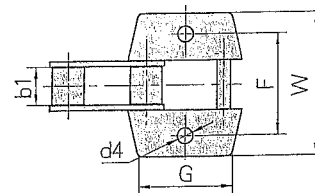
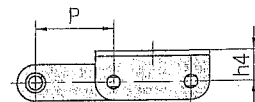
FÄSTLÄNKAR

För lantbrukskedja



Chain No.	P	b1	G	F	W	h4	d4	K
	mm	mm	mm	mm	mm	mm	mm	mm
CA550K1	41.4	19.81	22.0	52.5	76.2	12.7	8.3	10.0
CA550K1F3	41.4	19.81	22.0	54.0	76.2	12.7	8.3	11.5
CA550F4K19F1	41.4	20.24	22.23	52.5	76.2	12.7	8.3	10.0

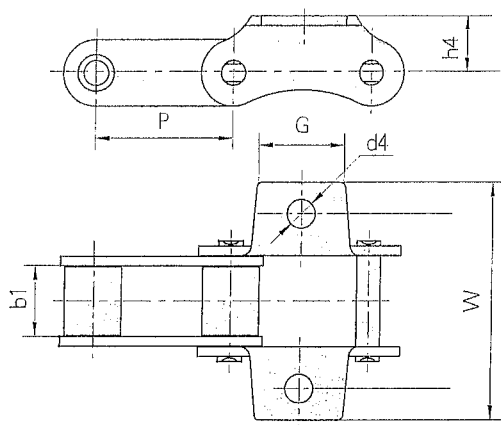
Chain No.	P	b1	G	F	W	h4	d4
	mm	mm	mm	mm	mm	mm	mm
CA550K1F4	41.4	19.81	48.5	54.0	76.2	16.5	8.5
CA550VK1F3	41.4	19.05	56.0	54.0	75.54	16.5	8.5
CA620A1F1	42.01	24.51	63.5	67.7	91.7	16.05	10.5



Chain No.	P	b1	G	F	W	h4	d4	K
	mm	mm	mm	mm	mm	mm	mm	mm
CA550K19	41.4	19.81	22.0	50.8	71.0	12.7	8.3	11.0
CA550K19F1	41.4	19.81	22.0	54.0	71.0	12.7	8.3	11.0
CA550K19F2	41.4	19.81	25.4	50.8	71.0	12.7	8.4	11.5

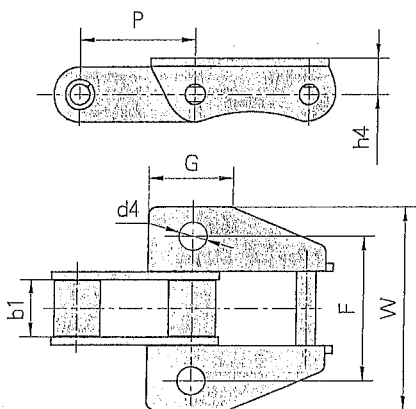
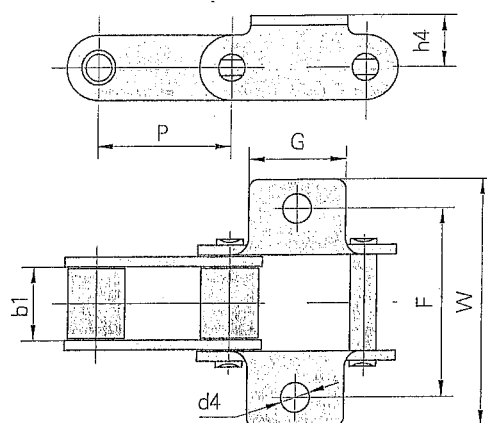
FÄSTLÄNKAR

För lantbrukskedja



Chain No.	P	b1	G	F	W	h4	d4
	mm	mm	mm	mm	mm	mm	mm
CA550F1	41.4	19.81	22.23	53.95	70.6	12.7	9.9
CA550K19F3	41.4	19.81	25.5	50.8	68.4	16.5	8.33

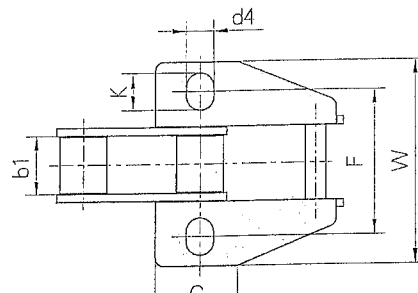
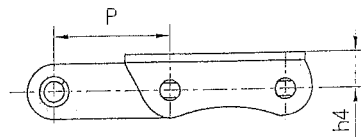
Chain No.	P	b1	G	F	W	h4	d4
	mm	mm	mm	mm	mm	mm	mm
55VDK1	41.4	23.0	30.0	50.8	76.0	16.0	9.0



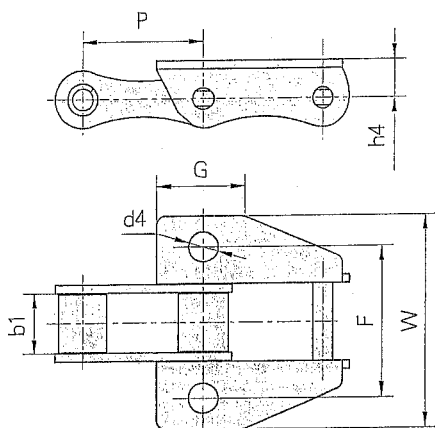
Chain No.	P	b1	G	F	W	h4	d4
	mm	mm	mm	mm	mm	mm	mm
CA550K39M	41.4	19.81	29.5	50.8	71.4	12.7	9.8
CA557K39M	41.4	20.24	29.5	50.8	71.4	12.7	9.8
CA557K39MF1	41.4	20.24	22.0	57.15	77.59	13.97	9.9

FÄSTLÄNKAR

För lantbrukskedja

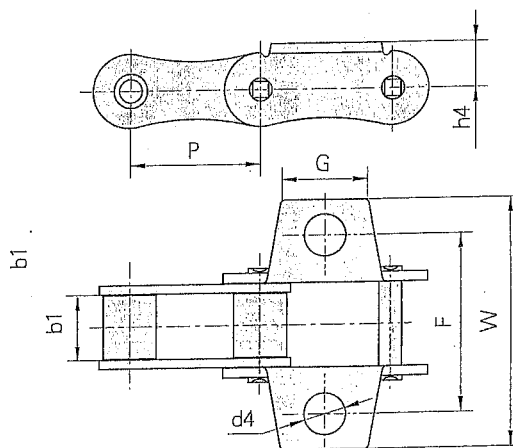


Chain No.	P	b1	G	F	W	h4	d4	K
	mm	mm	mm	mm	mm	mm	mm	mm
CA550K39MF2	41.4	19.81	29.5	50.8	71.4	12.7	9.9	13
CA557K39MF2	41.4	20.24	29.5	50.8	71.4	12.7	9.9	13



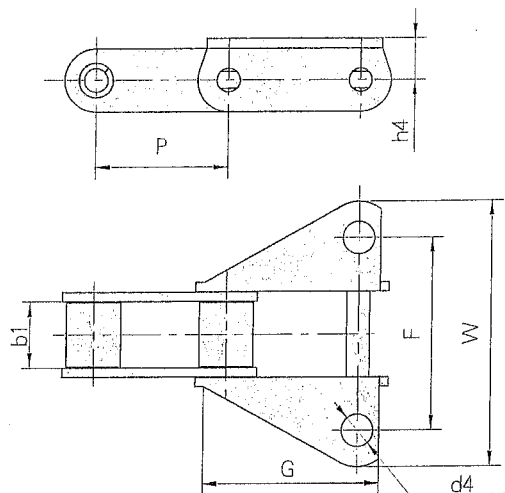
Chain No.	P	b1	G	F	W	h4	d4
	mm	mm	mm	mm	mm	mm	mm
A557K39M	41.4	20.24	29.5	56.7	77.8	13.5	10.1

Chain No.	P	b1	G	F	W	h4	d4
	mm	mm	mm	mm	mm	mm	mm
A557K27S	41.4	20.24	28.6	57.15	79.35	14.3	13.1

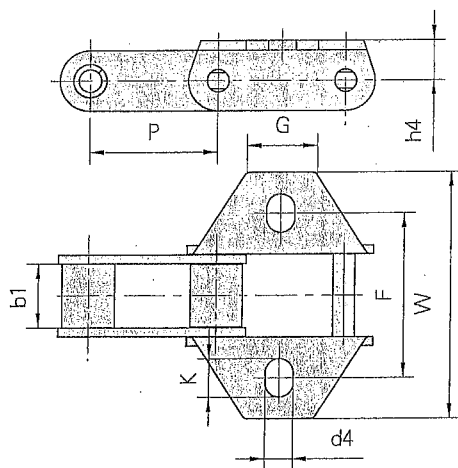


FÄSTLÄNKAR

För lantbrukskedja



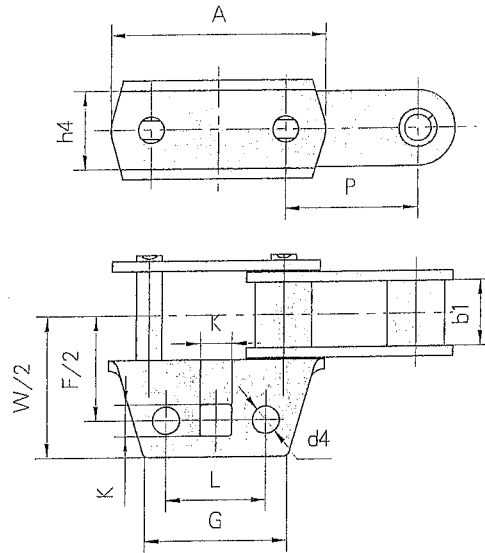
Chain No.	P	b1	G	F	W	h4	d4
	mm	mm	mm	mm	mm	mm	mm
CA557F1	41.4	20.24	60.0	53.94	76.2	14.6	9.9



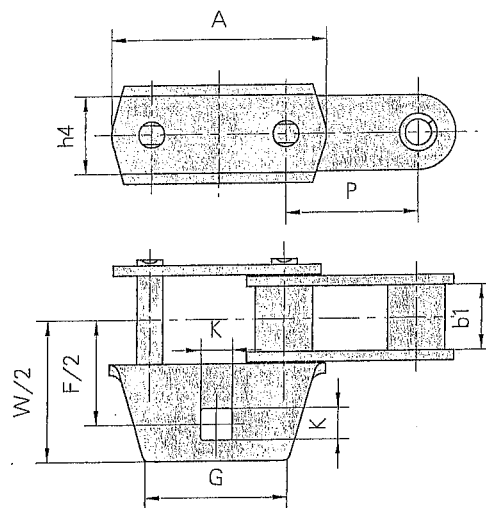
Chain No.	P	b1	G	F	W	h4	d4	K
	mm	mm	mm	mm	mm	mm	mm	mm
CA557F2	41.4	20.24	22.23	53.98	79.3	14.3	9.9	13.6

FÄSTLÄNKAR

För lantbrukskedja



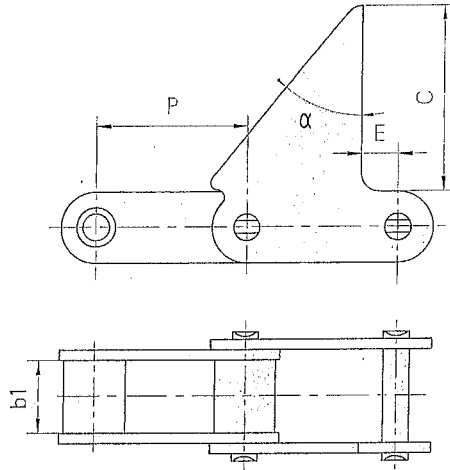
Chain No.	P	b1	A	L	G	F	W	h4	d4	K
	mm	mm	mm	mm	mm	mm	mm	mm	mm	mm
CA557F3	41.4	20.24	66.55	30.22	44.45	64.14	86.6	23.9	8.25	9.7



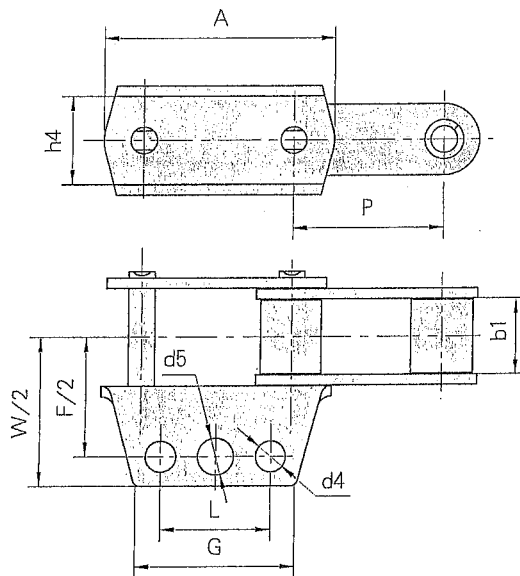
Chain No.	P	b1	A	G	F	W	h4	K
	mm	mm	mm	mm	mm	mm	mm	mm
CA557F4	41.4	20.24	66.55	44.45	64.14	86.6	23.9	9.7

FÄSTLÄNKAR

För lantbrukskedja



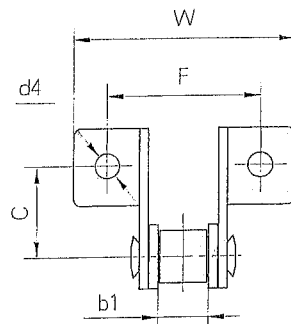
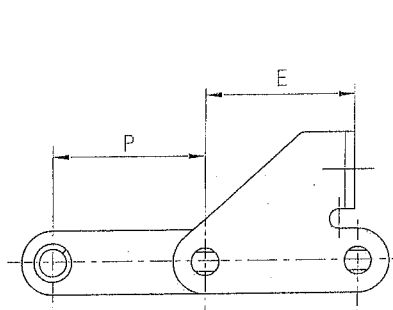
Chain No.	P	b1	C	α	E
CA550F6	mm 41.4	mm 19.81	mm 50.0	40°	mm 10



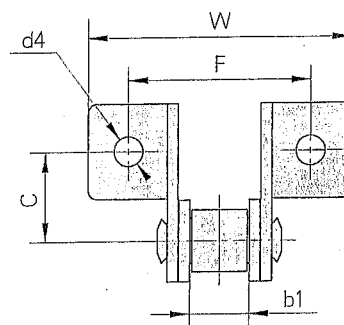
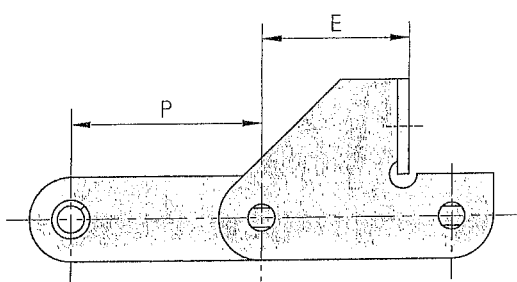
Chain No.	P	b1	A	L	G	F	W	h4	d4	d5
CA550F7	mm 41.4	mm 19.81	mm 63.5	mm 30.22	mm 44.45	mm 64.1	mm 81.4	mm 23.88	mm 8.25	mm 9.9

FÄSTLÄNKAR

För lantbrukskedja



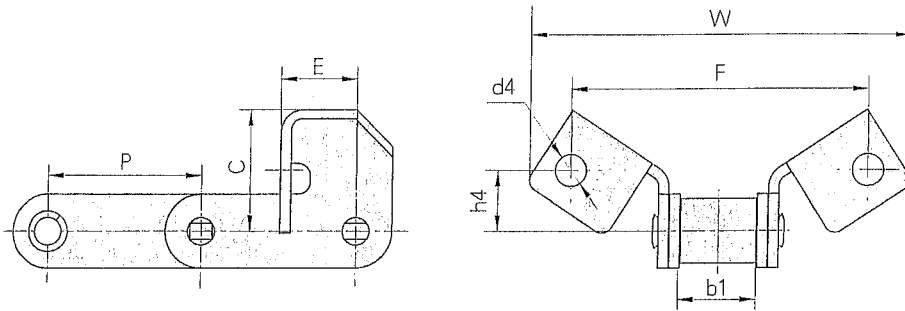
Chain No.	P	b1	E	F	W	C	d4
	mm	mm	mm	mm	mm	mm	mm
38.4RSD	38.4	19.05	38.4	52.0	71.0	24.5	8.4
38.4RSDF1	38.4	19.05	38.4	52.0	70.0	24.5	8.4
38.4VSD	38.4	18.0	38.4	52.0	71.0	24.0	8.4
38.4VBSD	38.4	19.05	38.4	52.0	71.0	25.0	8.4
38.4VBSDF1	38.4	19.05	38.4	52.0	73.0	24.0	8.3
CA550SD	41.1	19.81	36.9	47.6	68.2	31.0	8.7
CA550SDF4	41.4	19.81	36.9	47.6	89.0	31.0	8.7



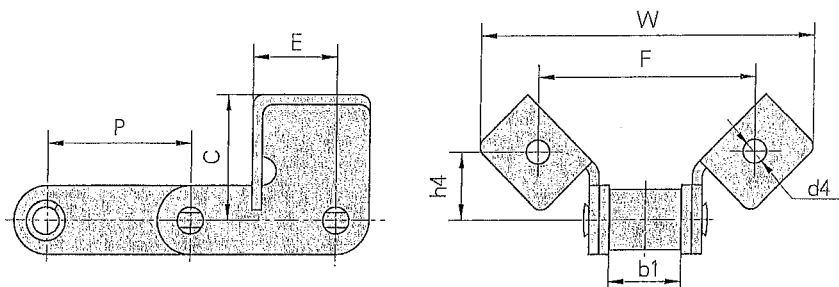
Chain No.	P	b1	E	F	W	C	d4
	mm	mm	mm	mm	mm	mm	mm
CA550SDF1	41.4	19.81	35.0	58.0	85.0	20.5	8.5
CA550SDF2	41.4	19.81	32.5	62.0	84.0	20.0	8.6
CA550SDF3	41.4	19.81	35.0	58.0	85.0	20.5	6.5
CA550SDF6	41.4	19.81	33.0	58.0	85.0	20.5	6.5
CA550SDF7	41.4	19.81	32.5	62.0	89.0	20.0	8.6
CA550F5SD	41.1	20.24	33.0	57.8	83.5	20.0	6.7
CA550SDF8	41.4	19.81	33.0	58.0	85.9	20.5	6.5

FÄSTLÄNKAR

För lantbrukskedja



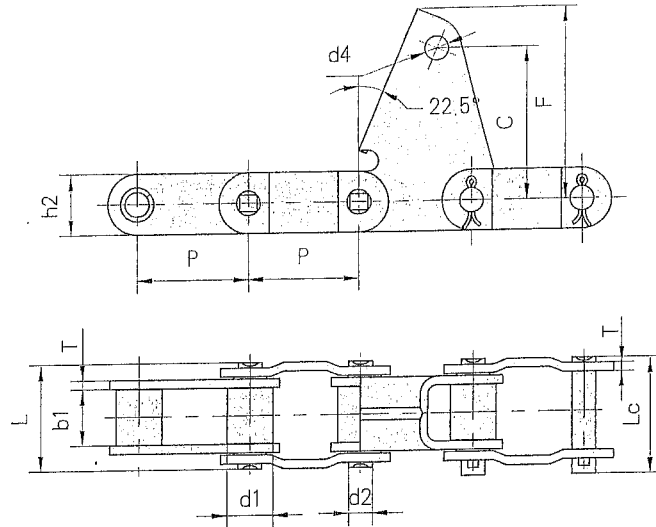
Chain No.	P	b1	E	C	F	W	h4	d4
	mm	mm	mm	mm	mm	mm	mm	mm
CA550F14	41.40	19.80	20.24	31.75	79.40	101.60	15.90	8.33
CA550F16	41.40	20.00	22.30	39.00	78.00	109.20	17.70	8.00



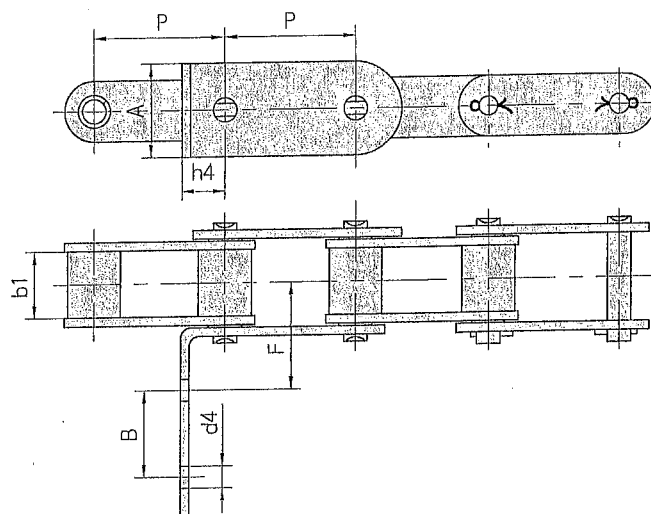
Chain No.	P	b1	E	C	F	W	h4	d4
	mm	mm	mm	mm	mm	mm	mm	mm
CA550F15	41.40	19.81	24.00	35.26	61.98	95.25	19.05	6.73
CA550F17	41.40	19.81	23.68	40.89	114.30	143.70	20.57	9.91
CA550VF13	41.40	19.05	25.40	59.60	79.35	135.45	28.60	8.74

FÄSTLÄNKAR

För lantbrukskedja



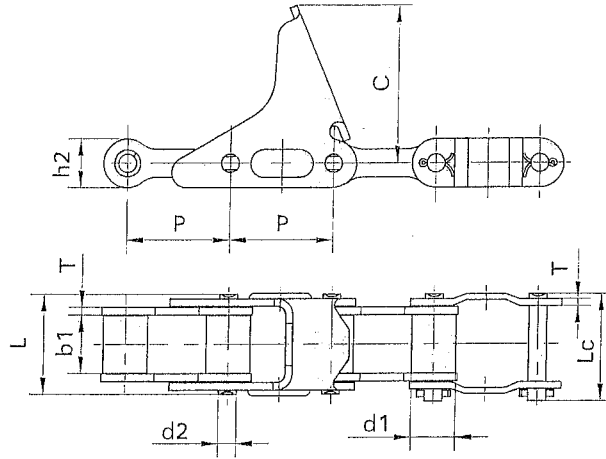
Chain No.	Teilung	Rollen \emptyset	Lichte Weite	Bolzen \emptyset	Bolzen-länge	Laschenabmessungen					min. Bruchkraft	Gewicht per meter	
	Pitch	Roller diameter	Width between inner plates	Pin diameter	Pin length	Plate dimension					Ultimate tensile strength	Weight per meter	
	P	d1	b1	d2	L	Lc	h2	T	C	F	d4	Q	q
38.4VBF2	38.4	15.88	19.05	8.28	36.1	39.1	20.5	3.0	51.6	65	8.1	50/11247	2.33



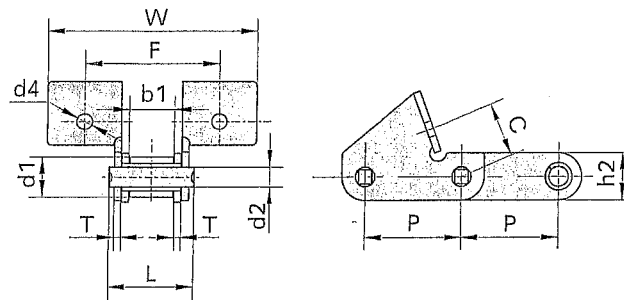
Chain No.	P	b1	A	B	F	h4	d4
38.4RF2	38.4	19.05	27.0	25	31.3	12.7	6.8

FÄSTLÄNKAR

För lantbrukskedja



Teilung	Rollen ø	Lichte Weite	Bolzen ø	Bolzen- länge	Laschenabmessungen			min. Bruchkraft	Gewicht per meter		
Chain No.	Pitch	Roller diameter	Width between inner plates	Pin diameter	Pin length	Plate dimension			Ultimate tensile strength	Weight per meter	
	P	d1 max	b1 min	d2 max	L max	Lc max	h2 max	T max	C max	Q min	q
	mm	mm	mm	mm	mm	mm	mm	mm	mm	kN/LB	kg/m
CA555F1	41.4	17.85	23.0	8.2	39.5	42.4	20.0	3.0	84	39.1/8795	2.99
CA555F2	41.4	17.85	23.0	8.2	39.5	42.4	20.0	3.0	62.5	39.1/8795	2.82

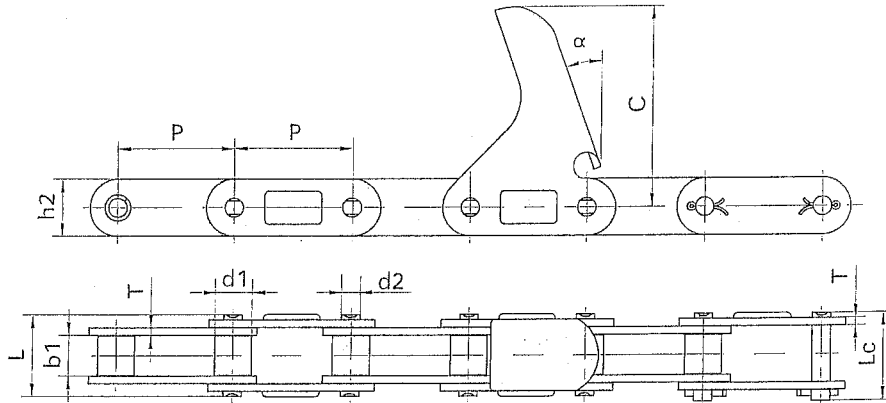


Flexon Chain No.	P	C	F	W	d4
	mm	mm	mm	mm	mm
CA550VF1	41.4	23.4	58	90.0	6.5

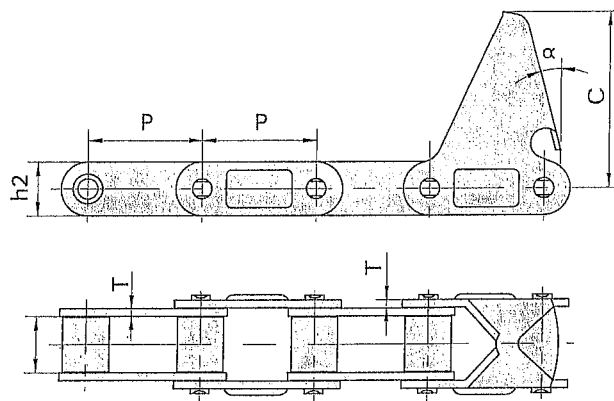
Teilung	Rollen ø	Lichte Weite	Bolzen ø	Bolzen- länge	Laschen- höhe	Laschen- dicke	Durchschn. Bruchlast	Gewicht per meter
Chain No.	Pitch	Roller diameter	Width between inner plates	Pin diameter	Pin length	Plate depth	Average tensile strength	Weight per meter
	P	d1 max	b1 min	d2 max	L max	h2 max	T min	q
	mm	mm	mm	mm	mm	mm	KN/LB	kg/m
CA550VF1	41.4	16.8	19.5	8.28	36.7	19.8	44/9898	2.5

FÄSTLÄNKAR

För lantbrukskedja



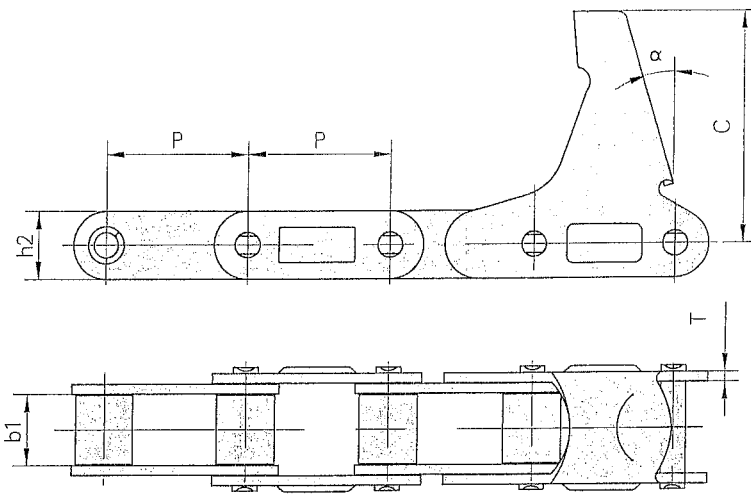
Chain No.	Teilung	Rollen \emptyset	Lichte Weite	Bolzen \emptyset	Bolzen-länge	Laschenabmessungen			Durchschn. Bruchlast	Gewicht per meter		
	Pitch	Roller diameter	Width between inner plates	Pin diameter	Pin length	Plate dimension			Average tensile strength	Weight per meter		
	P	d1 max	b1 min	d2 max	L max	Lc max	h2 max	T	C	α	Q min	q
	mm	mm	mm	mm	mm	mm	mm	mm	mm	mm	KN/LB	kg/m
CA2060-C6E	38.1	11.91	12.57	5.94	25.9	28.3	18.0	2.42	63.5	20.0°	31.1/6996	1.40
CA2060H-C6E	38.1	11.91	12.7	5.94	29.2	31.6	18.0	3.25	63.5	22.5°	31.1/6996	1.78



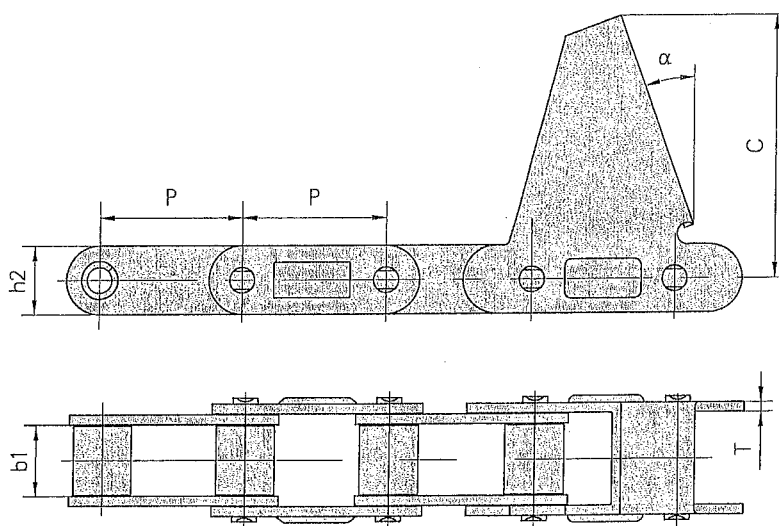
Chain No.	P	b1	h2	T	C	α
	mm	mm	mm	mm	mm	
CA550-C6E	41.40	19.81	19.30	2.80	55.6	20°
CA550-C11E	41.40	19.81	19.30	2.80	63.5	15°
CA550-C11EJ	41.40	19.81	19.30	2.80	66.0	17°
CA550-C13E	41.40	19.81	19.30	2.80	92.0	15°
CA550F4-C6E	41.40	20.24	19.05	2.80	55.6	22.5°
CA620-C13E	42.01	24.51	20.20	3.25	92.0	15°

FÄSTLÄNKAR

För lantbrukskedja



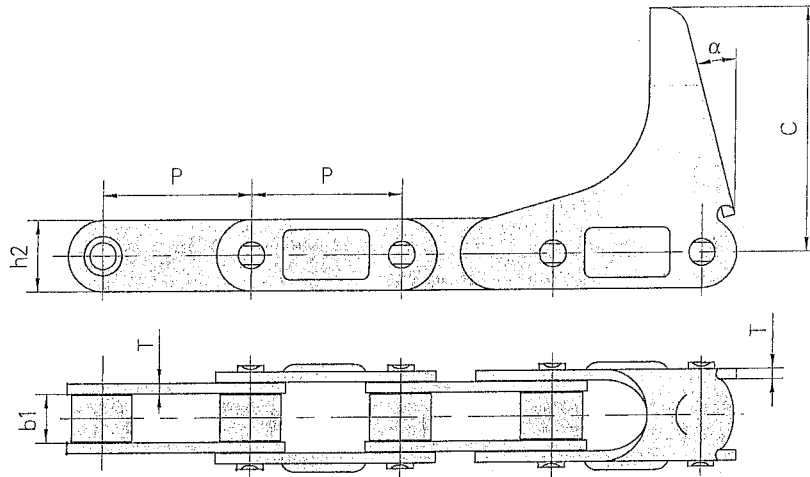
Chain No.	P	b1	h2	T	C	α
	mm	mm	mm	mm	mm	
CA550-LV41N	41.4	19.81	19.3	2.8	68.5	15°



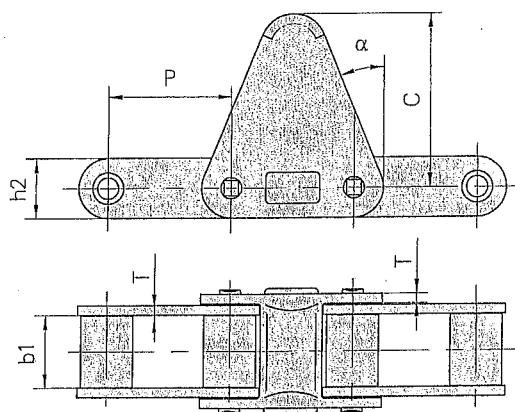
Chain No.	P	b1	h2	T	C	α
	mm	mm	mm	mm	mm	
CA550-CPE	41.4	19.81	19.3	2.8	74.5	20°

FÄSTLÄNKAR

För lantbrukskedja



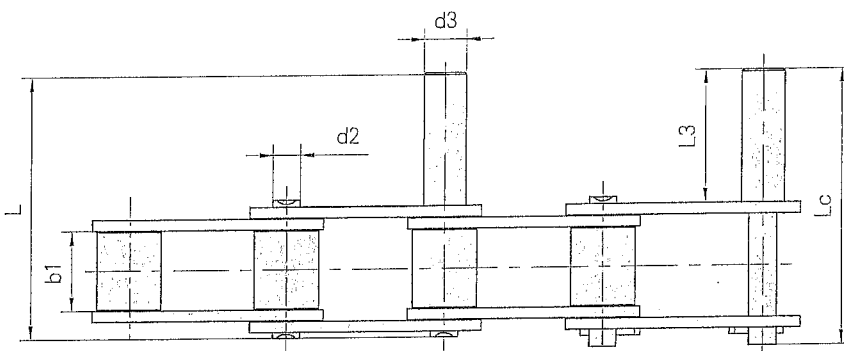
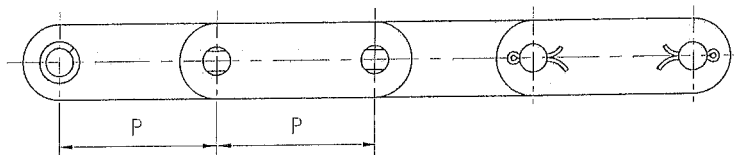
Chain No.	P	b1	h2	T	C	α
	mm	mm	mm	mm	mm	
CA555-C6E	41.4	12.7	19.3	3.1	63.5	15°
CA555-C6EJ	41.4	12.7	19.3	3.25	66.0	15°



Chain No.	P	b1	h2	T	C	α
	mm	mm	mm	mm	mm	
CA620-C30E	41.4	24.51	20.2	3.25	58.7	22.5°

FÄSTLÄNKAR

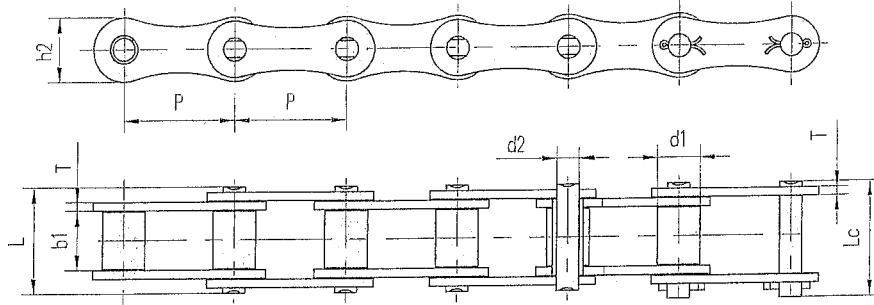
För lantbrukskedja



Chain No.	P	b1	d2	d3	L3	L	Lc
	mm	mm	mm	mm	mm	mm	mm
CA550-D1	41.4	19.81	7.19	12.7	50.8	84.5	87.5
CA550-D2	41.4	19.81	7.19	7.19	31.75	65.4	68.4
CA550-D4	41.4	19.81	7.19	11.0	34.0	67.7	70.7

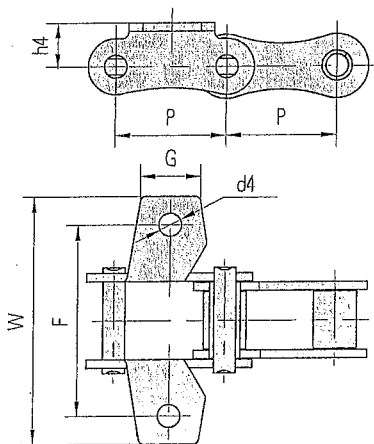
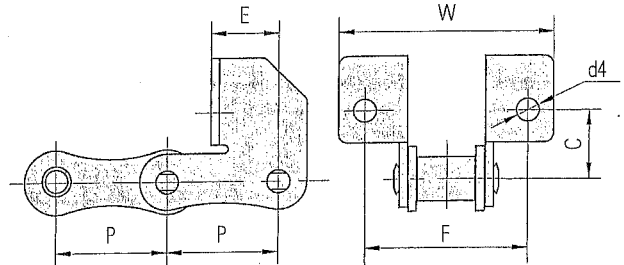
FÄSTLÄNKAR

För lantbrukskedja



Teilung	Rollen ø	Lichte Weite	Bolzen ø	Bolzen- länge	Laschen- höhe	Laschen- dicke	min. Bruchkraft	Gewicht per meter		
Chain No.	Pitch	Roller diameter	Width between inner plates	Pin diameter	Pin length	Plate depth	Ultimate tensile strength	Weight per meter		
	P	d1 max	b1 min	d2 max	L max	Lc max	h2 max	T max	Q min	q
	mm	mm	mm	mm	mm	mm	mm	mm	kN/LB	kg/m
P41.3	41.3	16.0	21.4	8.28	39.0	42.0	23.5	3.1	50/11363	2.27

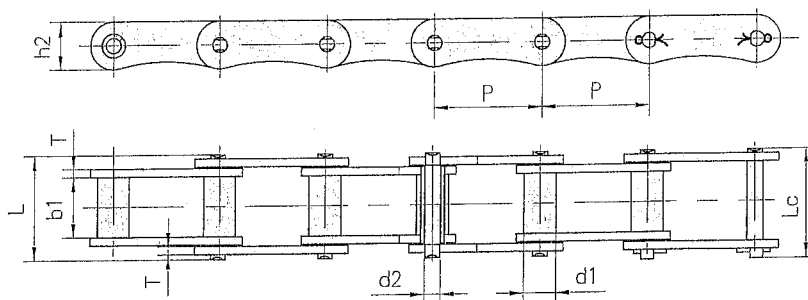
Chain No.	P	C	E	F	W	d4
	mm	mm	mm	mm	mm	mm
P41.3SD	41.3	25	25	60	79	6.4



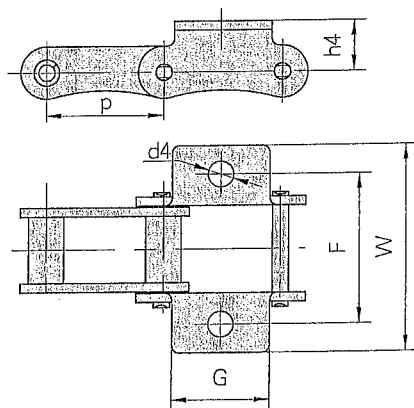
Flexion Chain No.	P	G	F	W	h4	d4
	mm	mm	mm	mm	mm	mm
P41.3K1	41.3	22.0	70.5	91.3	16.0	8.4

FÄSTLÄNKAR

För lantbrukskedja



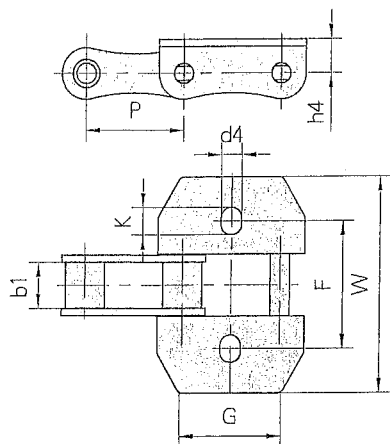
Teilung	Rollen ø	Lichte Weite	Bolzen ø	Bolzen- länge	Laschen- höhe	Laschen- dicke	min. Bruchkraft	Gewicht per meter		
Chain No.	Pitch	Roller diameter	Width between inner plates	Pin diameter	Pin length	Plate depth	Plate thick- ness	Ultimate tensile strength	Weight per meter	
	P	d1 max	b1 min	d2 max	L max	Lc max	h2 max	T max	Q min	q
	mm	mm	mm	mm	mm	mm	mm	mm	kN/LB	kg/m
LV40	40	12.0	22.0	6.0	38.2	41.0	17.5	3.0	31.4/7136	1.53



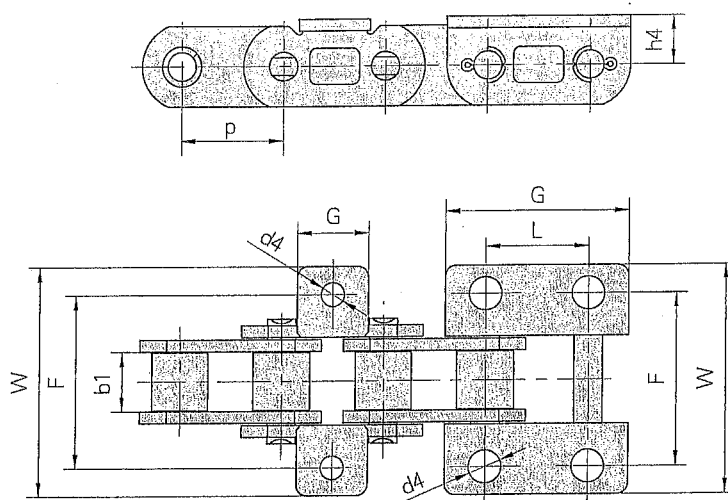
Chain No.	P	G	F	W	h4	d4
	mm	mm	mm	mm	mm	mm
LV40K1	40.0	33.0	50.0	69.0	17.0	8.5

FÄSTLÄNKAR

För lantbrukskedja



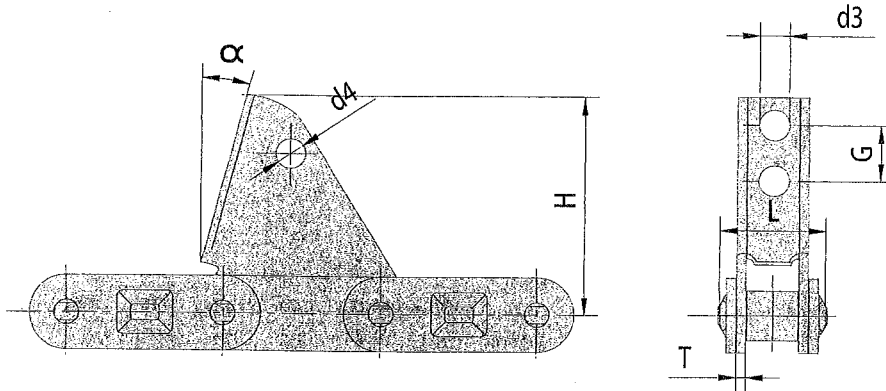
Chain No.	P	b1	G	F	W	h4	d4	K
	mm	mm	mm	mm	mm	mm	mm	mm
CA642S103	41.4	19	40	53	89.6	14.0	8.5	11.25



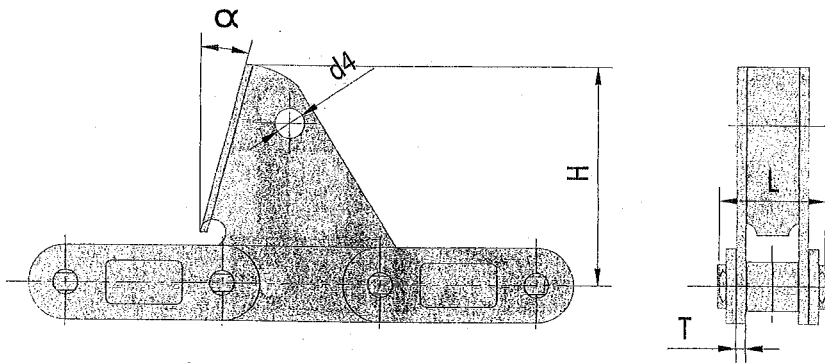
Chain No.	P	b1	L	G	F	W	h4	d4
	mm	mm	mm	mm	mm	mm	mm	mm
CAE44151S1	28.575	16.2		20	47	61	13.0	6.5
CAE44151S2	28.575	16.2	28.58	51	47	62.4	13.5	9.0

FÄSTLÄNKAR

För lantbrukskedja



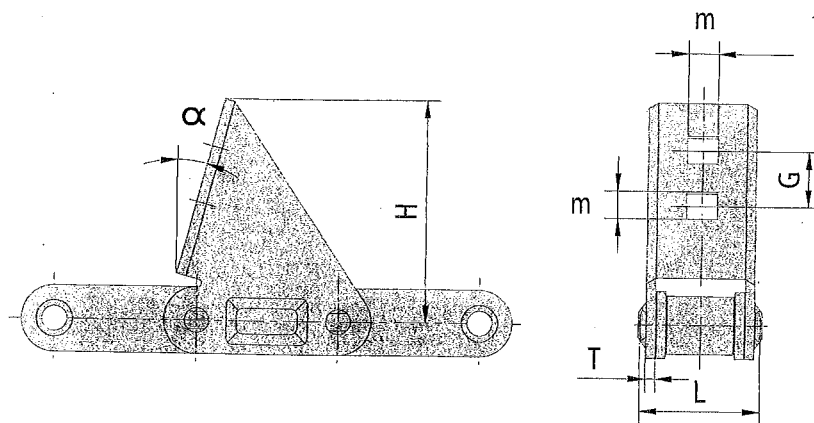
Chain No.	H	L	T	α	d4	d3	G
	mm	mm	mm		mm	mm	mm
CA627-M10	63.5	36.7	2.9	22.5	-	-	-
CA627-M12	63.5	36.7	2.9	22.5	5.0	5.0	30



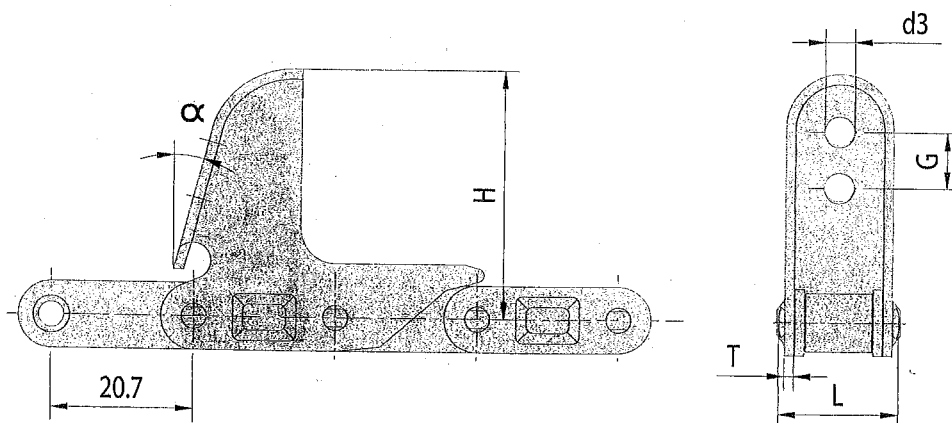
Chain No.	H	L	T	α	d4
	mm	mm	mm		mm
CA627-M11	63.5	36.7	2.9	22.5	6.5

FÄSTLÄNKAR

För lantbrukskedja



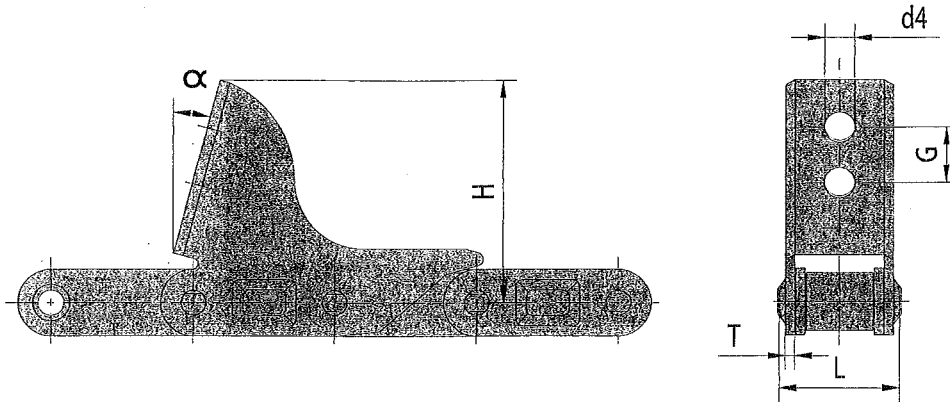
Chain No.	H	L	T	α	m	G
	mm	mm	mm		mm	mm
CA627-M20	74.0	36.7	2.9	22.5	6.6	30



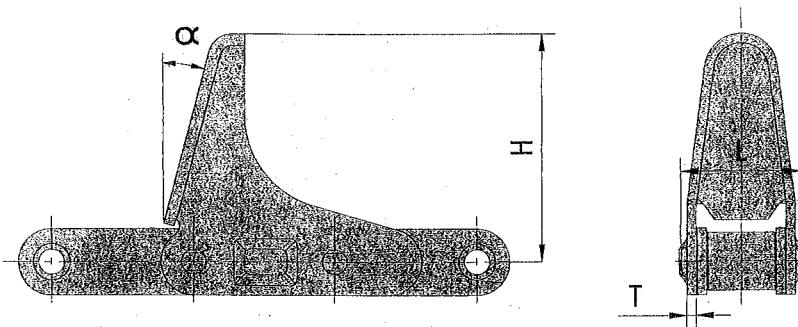
Chain No.	H	L	T	α	ds	G
	mm	mm	mm		mm	mm
CA627-M32	63.25	36.7	2.9	15.0	6.2	25.5

FÄSTLÄNKAR

För lantbrukskedja



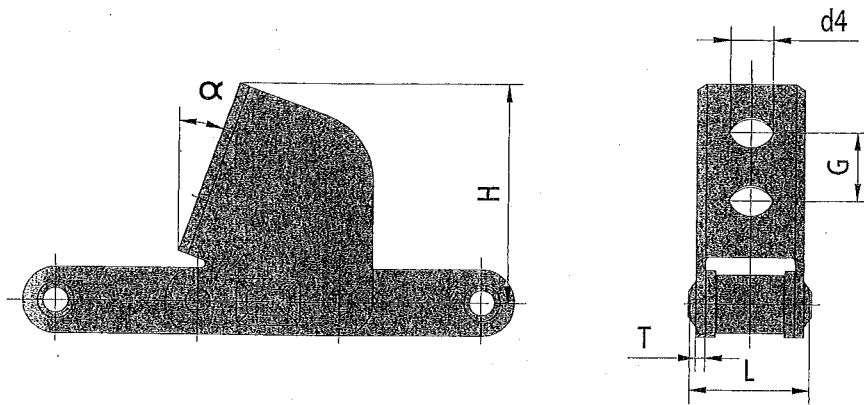
Chain No.	H	L	T	α	d4	G
	mm	mm	mm		mm	mm
GA627-M42	63.5	36.7	2.9	22.5	6.0	30.0



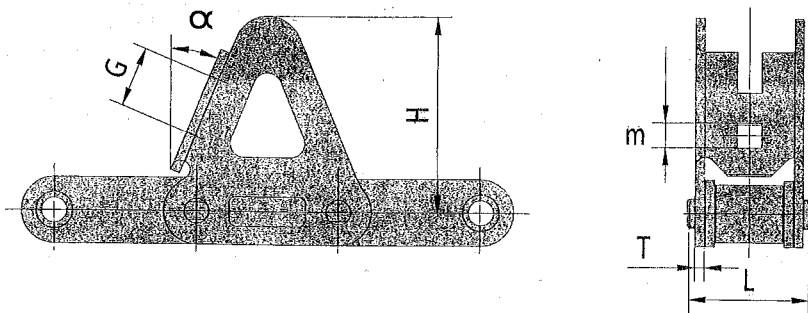
Chain No.	H	L	T	α
	mm	mm	mm	
GA627-M60	63.0	36.7	2.9	21.5

FÄSTLÄNKAR

För lantbrukskedja



Chain No.	H	L	T	α	d4	G
	mm	mm	mm		mm	mm
CA627-M72	63.5	36.7	2.9	23.0	6.5	30.0



Chain No.	H	L	T	α	m	G
	mm	mm	mm		mm	mm
S55H-M22	58.0	39.5	3.0	22.5	8.1	22